

Simple and Affordable RMS Power Meter that Operates from 100 MHz to 40 GHz

Andy Mo
Analog Devices, Inc.

Introduction

RMS-responding RF power meters are widely used in test and measurement applications to precisely and accurately measure the RF power of signals with varying crest factors. These expensive connectorized devices offer a high level of precision, while relying on extensive characterization and calibration, but this precision comes at a cost in size and expense. For far lower cost and much smaller size, the [LTC5596](#), a 100 MHz to 40 GHz rms responding integrated circuit with 35 dB or more detection range, can be used to build a handheld broadband power meter, or even in-circuit, embedded power meters.

The LTC5596's well-controlled linear-in-dB transfer function and excellent flatness vs. frequency allows for easy calibration—as basic as a single midfrequency two-point calibration, resulting in ± 1 dB of measurement accuracy across a frequency range from 150 MHz to 30 GHz. The LTC5596 low power consumption (only 100 mW) and its integrated nature make possible in-circuit and handheld power monitoring solutions.

The simplicity of a complete solution is illustrated by the battery-powered example of Figure 1, where a broadband RF power meter can be built using the available LTC5596 demonstration circuit ([DC2158A](#)), an I²C LCD display, and the [DC2026C](#) Linduino board running a short firmware program (see Appendix).

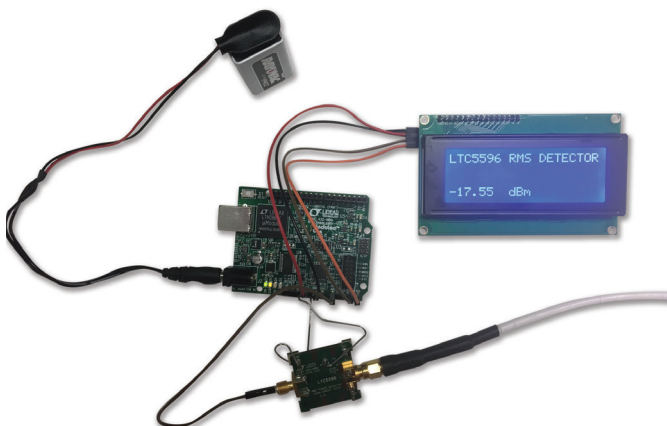


Figure 1. A complete broadband RF power meter.

Table 1. Bill of Materials

Description	Part Number
LTC5596 Demo Board	DC2158A
Arduino Board	Linduino DC2026C or compatible
I ² C LCD Display	Smraza 2004 LCD display module (20 × 4)
9 V Battery and Wires	

Circuit Assembly

Figure 2 shows the assembly scheme. The Linduino board has multiple ADC inputs in the analog IN bank—A0 is used here to sample the output of the LTC5596 detector. The display features an I²C interface, which simplifies connections to the Linduino board. The complete circuit is powered through the Linduino board's auxiliary port including the LTC5596 board and connector.

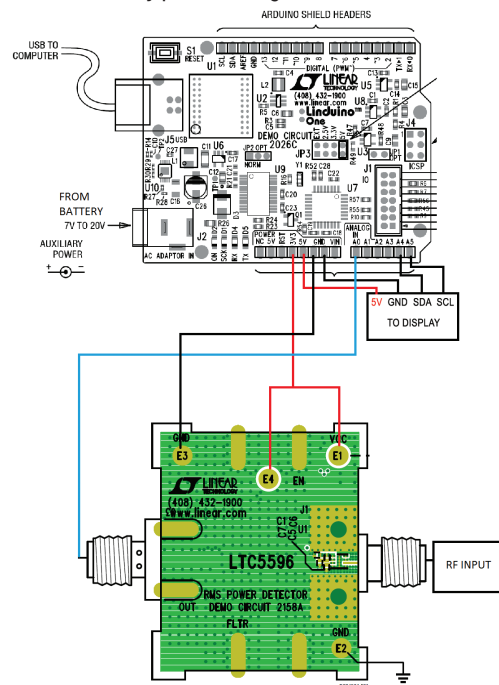


Figure 2. Connection diagram.

Firmware

All of the required firmware runs on the Linduino board. The main function of the firmware is to convert the measured analog input (volts) to RF power (dBm) and display it on the LCD display. To do that, a two-point calibration is recommended to find the slope and intercept point of the LTC5596's linear transfer function— V_{OUT} vs. RF power in the linear form:

$$y = (x - b)m$$

where x is input power in dBm, y is the LTC5596's output voltage (V_{OUT}) that is directly proportional to the ADC code, m is the slope, and b is the x -intercept (V_{OUT} reaches 0). The firmware calculates x based on the measured y , with the values of b and m coming from calibration (explained below). Averaging multiple readings can help minimize the effects of noise.

The Linduino's onboard ADC has 10 bits of resolution, corresponding to an LSB size of about 4.9 mV. The typical slope of the LTC5596 is 28.5 mV/dB, resulting in a measurement resolution of approximately 0.2 dB. The Appendix shows sample firmware code that is used for 5.8 GHz to display the input power in dBm.

Calibration

Although the LTC5596 features a linear-in-dB transfer function. Part-to-part variations result in a range of transfer function slopes and axis intercept points. Since the transfer function is linear, calibration is simple, requiring only two-point calibration (or more, if desired) to assure accuracy.

Figure 3 shows two-point calibration of a typical transfer curve taken from LTC5596 at 5.8 GHz. The two points are used to derive the slope and x -intercept.

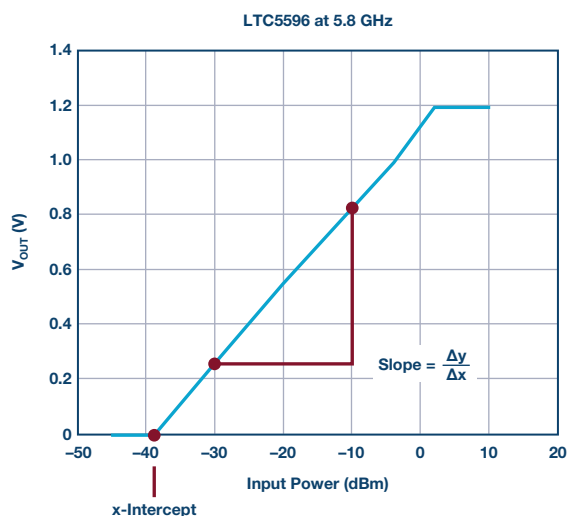


Figure 3. LTC5596 V_{OUT} vs. input power. The two calibration points should be chosen to represent the operating range of the application.

In this example,

$$\text{Slope} = \Delta y / \Delta x = (0.83 - 0.26) \text{ V} / (-10 + 30) \text{ dB} = 28.5 \text{ mV/dB}$$

$$x\text{-intercept} = \text{Input Power} - V_{OUT} / \text{Slope} = -10 - 0.83 / 0.0285 = -39 \text{ dBm}$$

These slope and intercept values are used in the code that's shown in the Appendix.

Linearity Error

In the data sheet, the log intercept is the x -intercept point on the plot. Linearity error is the difference between the ideal straight line and the actual measured power by the detector. The useful detection range is typically where the linearity error is less than 1 dB. Hence, error can be calculated using the x -intercept point and the slope shown in Figure 4, which shows the linearity error of a typical device a system can achieve with two-point calibration.

$$\text{Error} = V_{OUT} / \text{Slope} + (x\text{-intercept}) - \text{Input Power}$$

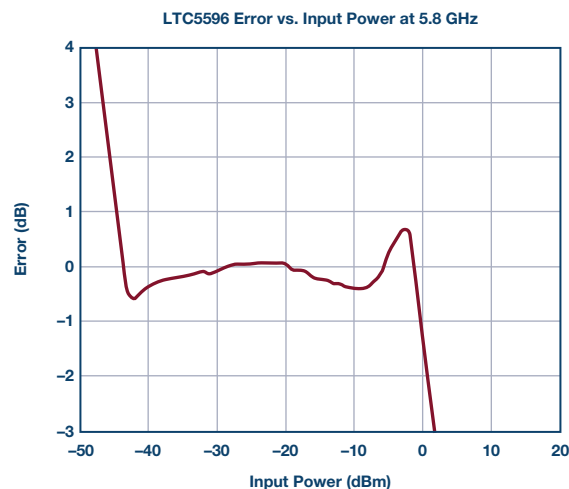


Figure 4. LTC5596 error vs. input power after calibration. The linear dynamic range can be seen as approximately -40 dBm to +3 dBm.

Conclusion

The LTC5596 brings small size, unprecedented simplicity, and low power requirements to accurate RF power metering in the 100 MHz to 40 GHz range. It makes possible complete solutions that are small, efficient, and accurate enough to satisfy the requirements of a portable handheld RF power meter, or even act as in-circuit, embedded RF power meters. Firmware overhead is minimal because of the well-behaved and broad-band transfer function of the LTC5596, which is linear-in-dB. Two-point calibration can be performed at a single mid-band frequency with good accuracy, or at more frequencies for improved accuracy. More importantly, the LTC5596 rms detector is capable of accurately measuring the power regardless of the type of modulation. Even with simple two-point calibration, the results are accurate—less than 0.3 dB of error independent of the modulation waveform. In contrast, other expensive commercial units require extensive calibration and characterization.

Appendix: Sample Code for Linduino Board to Convert the ADC Reading to dBm and to Drive the Display

```
#include <Wire.h>

#include <LiquidCrystal_I2C.h>

LiquidCrystal_I2C lcd(0x3F,20,4); // set the LCD address
to 0x3F for a 20 chars and 4 line display

int analogPin = 0; //set up analog IN channel 0

double val = 0;

double slope = 0.0285; // slope in Volts per dB

double xint = -39; //log intercept in dBm @5.8GHz

double power = 0.0;

double totalval=0.0;

void setup()

{

lcd.init(); // initialize the lcd

lcd.backlight();

lcd.setCursor(0,0);

lcd.print("LTC5596 RMS DETECTOR");

lcd.setCursor(8,3);

lcd.print("dBm");

}

void loop()

{

for(int i=0;i<20;i++) // Average 20 ADC readings:

{

val = analogRead(analogPin);

delay(10);

totalval= totalval + val;

}

totalval=totalval/20.0;

power = (totalval*0.0049/slope)+xint; // Convert to Volts,

calculate dBm

lcd.setCursor(0,3);

lcd.print(power);

}
```

About the Author

Andy Mo is an RF applications engineer at Analog Devices. Prior to that, he worked as an applications engineer on RF circuit designs at Linear Technology (now part of ADI) for over 10 years. He received his M.S.E.E. degree from University of California, Santa Barbara, with a focus on communications electronics. He can be reached at andy.mo@analog.com.

Online Support Community



Engage with the Analog Devices technology experts in our online support community. Ask your tough design questions, browse FAQs, or join a conversation.

Visit ez.analog.com

Analog Devices, Inc. Worldwide Headquarters

Analog Devices, Inc.
One Technology Way
P.O. Box 9106
Norwood, MA 02062-9106
U.S.A.
Tel: 781.329.4700
(800.262.5643, U.S.A. only)
Fax: 781.461.3113

Analog Devices, Inc. Europe Headquarters

Analog Devices GmbH
Ott-Aicher-Str. 60-64
80807 München
Germany
Tel: 49.89.76903.0
Fax: 49.89.76903.157

Analog Devices, Inc. Japan Headquarters

Analog Devices, KK
New Pier Takeshiba
South Tower Building
1-16-1 Kaigan, Minato-ku,
Tokyo, 105-6891
Japan
Tel: 813.5402.8200
Fax: 813.5402.1064

Analog Devices, Inc. Asia Pacific Headquarters

Analog Devices
5F, Sandhill Plaza
2290 Zuchongzhi Road
Zhangjiang Hi-Tech Park
Pudong New District
Shanghai, China 201203
Tel: 86.21.2320.8000
Fax: 86.21.2320.8222

©2018 Analog Devices, Inc. All rights reserved. Trademarks and registered trademarks are the property of their respective owners. Ahead of What's Possible is a trademark of Analog Devices. DN20699-0-11/18

analog.com



AHEAD OF WHAT'S POSSIBLE™